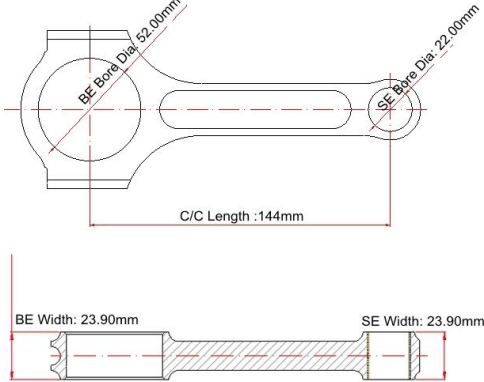


BMW S38B36 6cyl Connecting Rods Main Sizes

Brand: Hurricane	
Center to Center Length: 144mm/ 5.670"	
Big End Bore Diameter: 52.00mm/2.047"	
Big End Width: 23.90mm/0.941"	
Small End Bore Diameter: 22.00mm /0.866"	
Small End Width: 23.90mm/0.941"	
Beam Style: I-beam	

BMW S38B36 6cyl Connecting Rods Features

Connecting Rod Bolt Diameter	3/8"
Approximate Connecting Rod Weight	XXX
Advertised Horsepower Rating	1000hp
Quantity	Sold as 6 pieces /set
Material	Forged 4340 steel
Connecting Rod Finish	Shot-peened, Polished
Pin	Bronze wrist pin bushings
Wrist Pin Style	Floating
Cap Retention Style	Cap screw
Weight Matched Set	Yes ,Balanced +/- 1g
Magnafluxed	Yes
Private Label	Yes ,available
Custom design	Yes, accept

Products Description :

- 1). Made from 4340 forged steel material;
- 2). 100% designed and processed by CNC machine with around 800-1100hp;

- 3). All big and small ends are finished with SUNNEN honing machine for superior tolerances;
- 4). 100% X-rayed, sonic tested and magnafluxed;
- 5). Multi-stage heat treated;
- 6). Shot peened to relieve stress and for improved fatigue life;
- 7). Come with the bronzed bushing suitable for the floating piston pin ;
- 8). Built as **I-Beam shape** for extra rigidity ;
- 9). Optimal balancing for weight matched sets ± 1 gram ;
- 10). Magnaflux Inspected and Dimensionally Inspected to ensure extreme reliability;

Product details display:

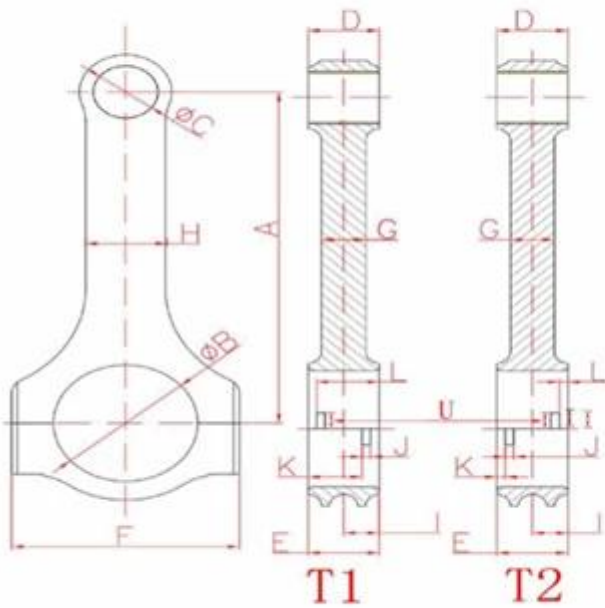


We offer personalized premium customized service , you can fill the full dimensions in [here](#) or send detailed drawing or used sample for us if you would like to make custom connecting rods .



Hurricane Speed & Performance - Custom Connecting Rod Form

SPECIEF UNITS: _____ MM OR IN



- | | |
|-----------------------------|-------------------------|
| A. _____ | B. _____ |
| Center to Center length/中心距 | Big End Bore/大孔 |
| C. _____ | D. _____ |
| Pin End Bore/小孔 | Pin End Width/小轴厚度 |
| E. _____ | F. _____ |
| Big End Width/大轴厚度 | Overall BE Width/肩宽 |
| G. _____ | H. _____ |
| Beam Thickness/杆厚 | Beam Width/杆宽 |
| I. _____ | S. _____ |
| BE Offset | T1 Or T2 反瓦/正瓦 |
| K. _____ | J. _____ |
| Tang Position | Tang Width/瓦槽宽度 |
| V. _____ | L. _____ |
| Tang Depth/瓦槽深度 | Tang Position |
| U. _____ | M. _____ |
| Tang Length/瓦槽长度 | H-beam X-beam I-beam/设计 |
| O. _____ | N. _____ |
| Piece/Set 只/组 | Engine Model/发动机型号 |
| P. _____ | Q. _____ |
| Bolt Diameter(Inch)螺栓规格 | Piece (Quantity)数量 |
| R. _____ | |
| Bolt Length(Inch)螺栓长度 | |



Any further question, please don't hesitate to [contact](#) us .