

# Mitsubishi 4B10 Connecting Rods Main Sizes

Brand: Hurricane*	
Center to Center Length: 153.52mm/6.044"	
Big End Bore Diameter: 51.00mm/2.008"	
Big End Width: 21.84mm/0.860"	
Small End Bore Diameter: 21.01mm/0.827"	
Small End Width: 21.84mm/0.860"	
Beam Style: H-beam	

# Mitsubishi 4B10 Connecting Rods Features

Connecting Rod Bolt Diameter	3/8"
Approximate Connecting Rod Weight	XXX
Advertised Horsepower Rating	550hp
Quantity	Sold as 4 pieces /set
Material	Forged 4340 steel
Connecting Rod Finish	Shot-peened, Polished
Pin	Bronze wrist pin bushings
Wrist Pin Style	Floating
Cap Retention Style	Cap screw
Weight Matched Set	Yes ,Balanced +/- 1g
Magnafluxed	Yes
Private Label	Yes ,available
Custom design	Yes, accept

# Mitsubishi 4B10 Connecting Rods Description

1. Designed and processed by CNC machine
2. Fully machined from 4340 / EN24 aircraft chrome moly forged steel
3. H-beam shape for weight saving and high strength
4. All big and small ends are finished with SUNNEN honing machine
5. All Small ends are bronze bushed for fully floating pin
6. All surfaces shot peened and stress relieved
7. Packaged in balanced sets +/- 1 gram
8. Suitable for standard [ARP2000 Rod Bolts](#)





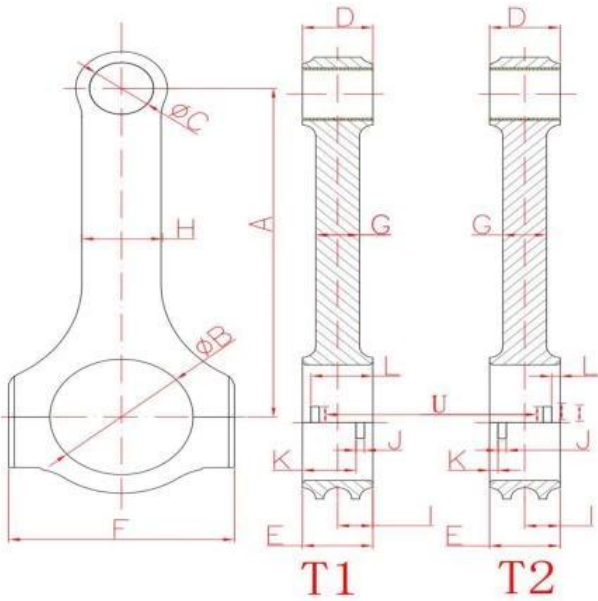
Please don't hesitate to send us [inquiry](#) for any needs of high performance rods . And Custom manufacturing is acceptable , here are some steps for your reference on custom rods :

- 1) sending drawing or sample to us , then we make quote detail
- 2) if you agree our quotation , then we design drawing
- 3) each other confirm the drawing and deal detail
- 4) all confirm finished , 30% deposit required , then we make sample for you to test if necessary
- 5) balance before shipping, then arrange shipping once received balance payment .



## Hurricane Speed&Performance - Custom Connecting Rod Form

SPECIFY UNITS : \_\_\_\_\_ MM OR IN



- |                             |                          |
|-----------------------------|--------------------------|
| A. _____                    | B. _____                 |
| Center to Center length/中心距 | Big End Bore/大孔          |
| C. _____                    | D. _____                 |
| Pin End Bore/小孔             | Pin End Width/小端厚度       |
| E. _____                    | F. _____                 |
| Big End Width/大端厚度          | Overall BE Width/肩宽      |
| G. _____                    | H. _____                 |
| Beam Thickness/杆厚           | Beam Width/杆宽            |
| I. _____                    | S. _____                 |
| BE Offset                   | T1 Or T2 反瓦/正瓦           |
| K. _____                    | J. _____                 |
| Tang Position               | Tang Width/瓦槽宽度          |
| V. _____                    | L. _____                 |
| Tang Depth/瓦槽深度             | Tang Position            |
| U. _____                    | M. _____                 |
| Tang Length/瓦槽长度            | H-beam, X-bea, I-beam/设计 |
| O. _____                    | N. _____                 |
| Piece/Set 支/组               | Engine Model /发动机型号      |
| P. _____                    | Q. _____                 |
| Bolt Diameter(Inch) /螺栓规格   | Piece ( Quantity)/数量     |
| R. _____                    |                          |
| Bolt Length(Inch) 螺栓长度      |                          |

