

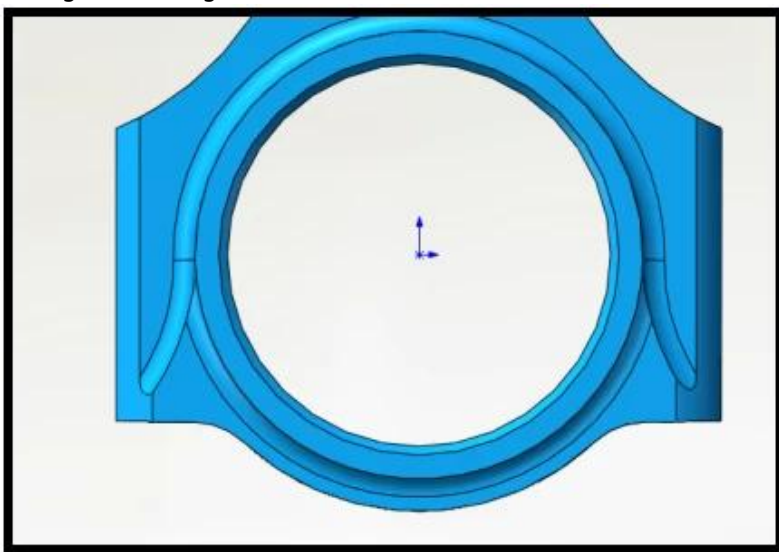
Brand: Hurricane*
Engine: Opel Vauxhall 1.6 C16XE X16XE 16V
Part Type: Connecting Rods
Center to Center Length: 129.75mm/5.108"
Big End Bore Diameter: 46.00mm/1.811"
Big End Width: 22.00mm/0.866"
Small End Bore Diameter: 18.00mm /0.709"
Small End Width: 18.00mm/0.709"
Beam Style: H-beam
Connecting Rod Bolt Diameter: 3/8"
Approximate Connecting Rod Weight: 430g/piece
Advertised Horsepower Rating: 550hp
Quantity: Sold as 4 pieces /set
Material: Forged 4340 steel
Connecting Rod Finish: Shot-peened, Polished
Pin: Bronze wrist pin bushings
Wrist Pin Style: Floating
Cap Retention Style: Cap screw
Weight Matched Set: Yes ,Balanced +/- 1g
Magnafluxed: Yes
Private Label: Yes ,available
Custom design: Yes, accept

These Connecting Rods for GM Opel Vauxhall Corsa 1.6 1.8 C16XE Tigra X16XE engines , H-beam construction with 129.75mm c/c length, designed and engineered by CNC machined, fully shot peened in Hurricane factory. Each rod inserted with bronzed bushing for the floating piston pin, Came with dowel sleeves to achieve accurate reassembling, it is a perfect choice for your Opel Vauxhall 1.6 C16XE X16XE 16V engines with 550-600 horsepower .

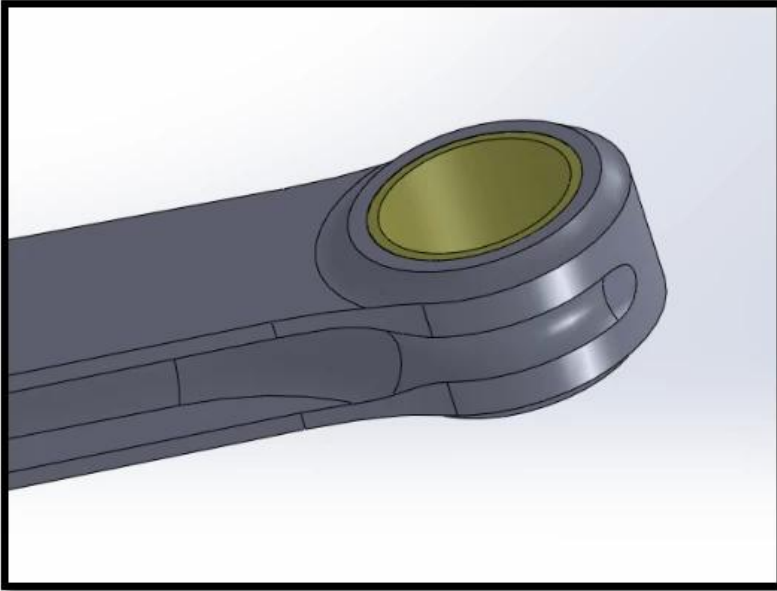
Hurricane also produces forged rods for [Opel C20LET/Z20LET/C20XE 2.0L](#) engines , and [custom](#) rods are acceptable,welcome to [contact](#) us to know more details .

At present, more and more design put on standard H-beam or I-beam rods. As a connecting rod manufacturer, custom design will be accepted if necessary. Share so me popular desing here:

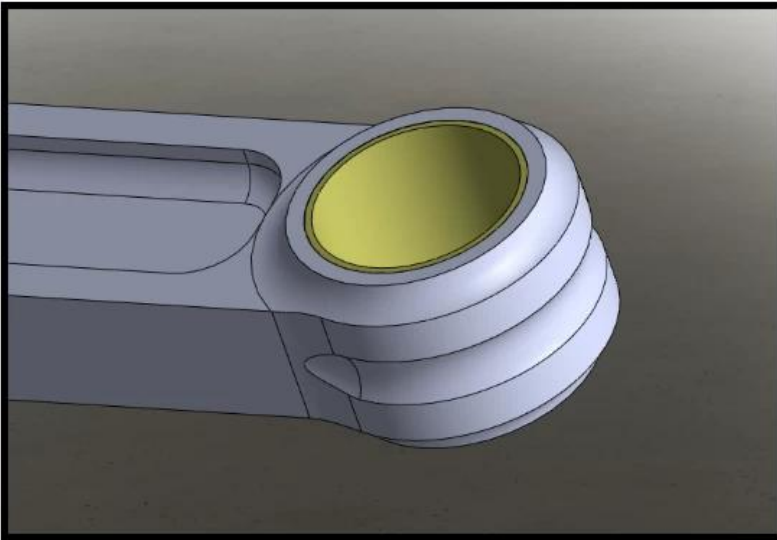
1. Big end design



2. Pin end design for H-beam



3. Pin end design for I-beam



If you are interested with these design, please leave an message to marketing@hurricane-rod.com.cn, or this is our pleasure if you could tell us your more ideas