

4G63 X beam connecting rods Main Sizes

Brand: Hurricane	
Center to Center Length: 150.00mm/5.906"	
Big End Bore Diameter: 48.00mm/1.890"	
Big End Width: 26.37mm/1.038"	
Small End Bore Diameter: 22mm /0.866"	
Big End Width: 26.37mm/1.038"	
Beam Style: X-beam	

Connecting Rods Mitsubishi EVO Features

Connecting Rod Bolt Diameter	3/8"
Approximate Connecting Rod Weight	~
Advertised Horsepower Rating	700hp
Quantity	Sold as 4 pieces /set
Material	Forged 4340 steel
Connecting Rod Finish	Shot-peened, Polished
Pin	Bronze wrist pin bushings
Wrist Pin Style	Floating
Cap Retention Style	Cap screw
Weight Matched Set	Yes ,Balanced +/- 1g
Magnafluxed	Yes
Private Label	Yes ,available
Custom design	Yes, accept

Forged Connecting Rods For Mitsubishi EVO 4G63 (2.0L) Description

Hurricane factory makes connecting rods for street engines and most racing applications, making them the preferred choice to professionals. We Follow a strict procedure for each job to ensure a high level of quality is delivered. so our Forged Connecting Rods for Mitsubishi Evo 4G63 (2.0L) are tough and strong.



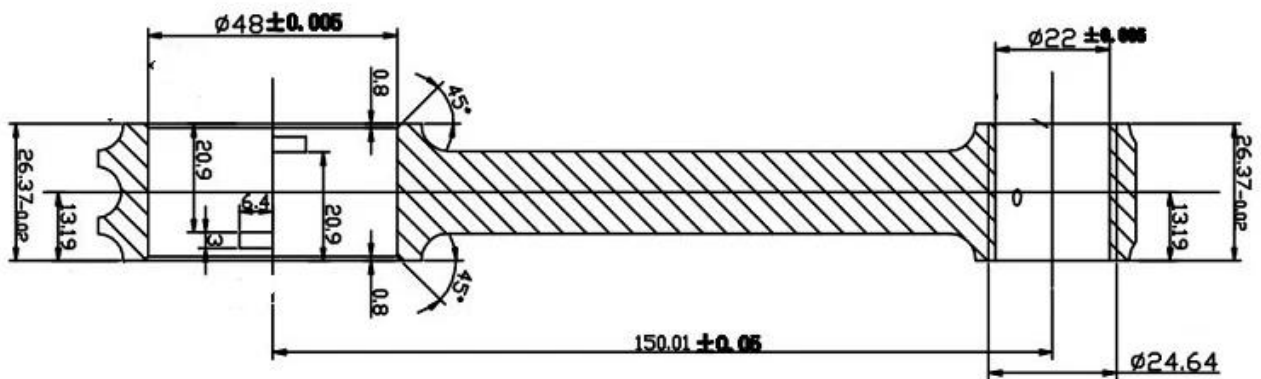
Those Forged 4340 Steel Connecting Rods for 4G63T Engines are ready for cleaning, inspecting and packing.

Optional forced pin oiling (rifle drilling) for long wrist pin life

Rifle Drilled(oiling channel from big end to piston pin), Also referred to as Forced Pin Oiling(FPO), rifle

drilling increases wrist pin longevity by providing additional lubrication, this upgrade is highly recommended for street-driven cars that see mileage put on them, this kind of rifle drilling application is available in all of our 4340 connecting rods and sold separately, please [contact us](#) for more information.

Forged 4340 Steel Connecting Rods for 4G63T Engines Main Size



This is our forged 4340 steel connecting rods main size with tolerance and bearing tag dimension.

OTHER CUSTOMERS ALSO BOUGHT

Brand: Hurricane
Stud Diameter: 3/8
Under Head Length: 1.600 inch
Material: forged 40CrNiMoA steel
Torque: 75 N*M
Tensile Strength: 211,829PSI
Weight: 27g per piece

[Hurricane Performance Replacement Connecting rods bolts Size: 3/8 x 1.600" inch](#)