

Brand: Hurricane\*  
Engine: Chrysler Mopar ,440  
Part Type: Connecting Rods  
Center to Center Length: 171.7mm/6.760"  
Big End Bore Diameter: 60.30mm/2.374"  
Big End Width: 25.58mm/1.007"  
Small End Bore Diameter: 25.146mm /0.990"  
Small End Width: 25.58mm/1.007"  
Beam Style: H-beam  
Connecting Rod Bolt Diameter: 7/16"  
Advertised Horsepower Rating: 1200hp  
Quantity: Sold as 8 pieces /set  
Material: Forged 4340 steel  
Connecting Rod Finish: Shot-peened, Polished  
Pin: Bronze wrist pin bushings  
Wrist Pin Style: Floating  
Cap Retention Style: Cap screw  
Weight Matched Set: Yes ,Balanced +/- 1g  
Magnafluxed: Yes  
Private Label: Yes ,available  
Custom design: Yes, accept

These H-beam connecting rods are designed for Chrysler Mopar 440 engines, per rod built from high quality 4340 steel material .





Each rods are finish-honed by SUNNEN equipment with high tolerance standrad at [Hurricane factory](#) ,polished and shot-peened to improve fatigue life, and featured with bronze bushings for floating pin . Those rods can hold approx 1200hp, so it will be a good choice for your high performance appli cations at same price range . More importantly , they are available with [ARP 8740, ARP 2000 and ARP L19](#) rod bolts to meet higher strength chrysler applications .



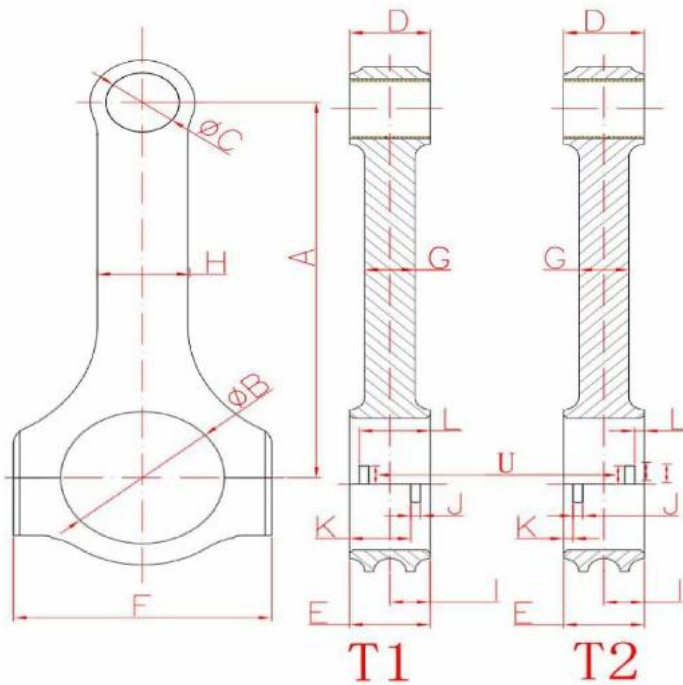
Hurricane offer custom service , custom connecting rods can be made as your specified needs . As a connecting rods leading manufacturer with 20+ years experience in China , our engineers team hav e the ability and confidence to design and make perfect rods for your performance engines . Here ar

See our custom connecting rods specs sheet , welcome to [contact](#) us if any needs for racing connecting rods .



## Hurricane Speed & Performance - Custom Connecting Rod Form

SPECIF UNITS: \_\_\_\_\_ MM OR IN



- |                             |                         |
|-----------------------------|-------------------------|
| A. _____                    | B. _____                |
| Center to Center length/中心距 | Big End Bore/大孔         |
| C. _____                    | D. _____                |
| Pin End Bore/小孔             | Pin End Width/小端厚度      |
| E. _____                    | F. _____                |
| Big End Width/大端厚度          | Overall BE Width/肩宽     |
| G. _____                    | H. _____                |
| Beam Thickness/杆厚           | Beam Width/杆宽           |
| I. _____                    | S. _____                |
| BE Offset                   | T1 Or T2 反瓦/正瓦          |
| K. _____                    | J. _____                |
| Tang Position               | Tang Width/瓦槽宽度         |
| V. _____                    | L. _____                |
| Tang Depth/瓦槽深度             | Tang Position           |
| U. _____                    | M. _____                |
| Tang Length/瓦槽长度            | H-beam,X-beam,I-beam/设计 |
| O. _____                    | N. _____                |
| Piece/Set 只/组               | Engine Model/发动机型号      |
| P. _____                    | Q. _____                |
| Bolt Diameter(Inch)/螺栓规格    | Piece (Quantity)/数量     |
| R. _____                    |                         |
| Bolt Length(Inch)/螺栓长度      |                         |

