

Brand: Hurricane*
Engine: Ford 2.3L
Part Type: Connecting Rods
Center to Center Length: 139.70mm/5.500"
Big End Bore Diameter: 55.169mm/2.172"
Big End Width: 25.146mm/0.990"
Small End Bore Diameter: 23.165mm /0.912"
Small End Width: 25.146mm/0.990"
Beam Style: H-beam
Connecting Rod Bolt Diameter: 3/8"
Advertised Horsepower Rating: 550hp
Quantity: Sold as 4 pieces /set
Material: Forged 4340 steel
Connecting Rod Finish: Shot-peened, Polished
Pin: Bronze wrist pin bushings
Wrist Pin Style: Floating
Cap Retention Style: Cap screw
Weight Matched Set: Yes ,Balanced +/- 1g
Magnafluxed: Yes
Private Label: Yes ,available
Custom design: Yes, accept

Hurricane supply performance forged 4340 H-beam connecting rods with competitive price since 2000 , these rods are suitable for Ford 2.3L race engines , sold as set of 4 pieces , each set weight balanced +/- 1 gram . All these rods are magnafluxed, heat treated and shot peened , 100% CNC machined, H-beam shape with high strength and reliability can help these rods to handle extreme engine loads , also help to save more weight .



Hurricane produces high quality forged connecting rods for different Ford engines , for example:

[Ford 5.4L Modular](#)

[FORD 351 WINDSOR](#)

[Ford 4.7L/289, 5.0L/302](#)

[FORD SMALL BLOCK-289/302/5.0L](#)

[FORD SMALL BLOCK-289/302/5.0L](#)

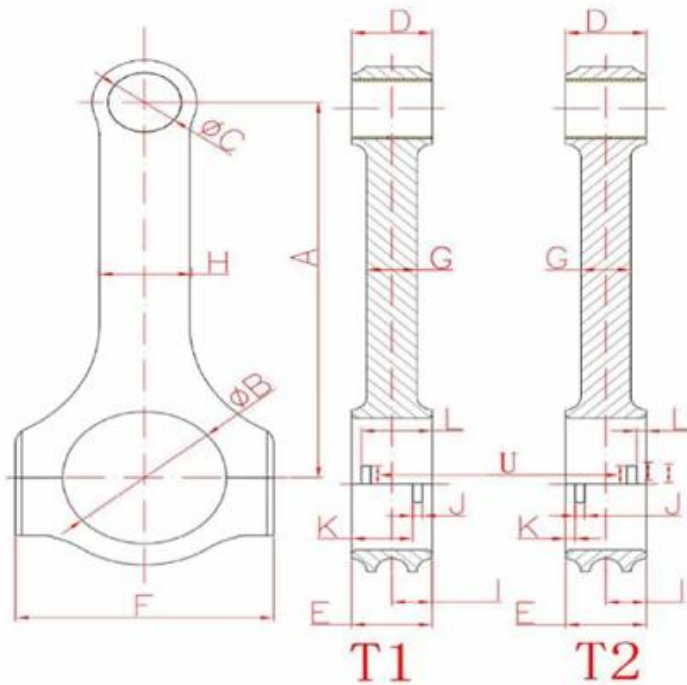
[Ford 4.6L/5.0L](#)

Hurricane offer custom service too , custom deisgn or custom sizes is acceptable , welcome to [contact](#) us for your customize demands .



Hurricane Speed & Performance - Custom Connecting Rod Form

SPECIEF UNITS: _____ MM OR IN



- | | |
|-----------------------------|-------------------------|
| A. _____ | B. _____ |
| Center to Center length/中心距 | Big End Bore/大孔 |
| C. _____ | D. _____ |
| Pin End Bore/小孔 | Pin End Width/小端厚度 |
| E. _____ | F. _____ |
| Big End Width/大端厚度 | Overall BE Width/肩宽 |
| G. _____ | H. _____ |
| Beam Thickness/杆厚 | Beam Width/杆宽 |
| I. _____ | S. _____ |
| BE Offset | T1 Or T2 反瓦/正瓦 |
| K. _____ | J. _____ |
| Tang Position | Tang Width/瓦槽宽度 |
| V. _____ | L. _____ |
| Tang Depth/瓦槽深度 | Tang Position |
| U. _____ | M. _____ |
| Tang Length/瓦槽长度 | H-beam,X-beam,I-beam/设计 |
| O. _____ | N. _____ |
| Piece/Set 只/组 | Engine Model/发动机型号 |
| P. _____ | Q. _____ |
| Bolt Diameter(Inch)/螺栓规格 | Piece (Quantity)数量 |
| R. _____ | |
| Bolt Length(Inch)螺栓长度 | |

