

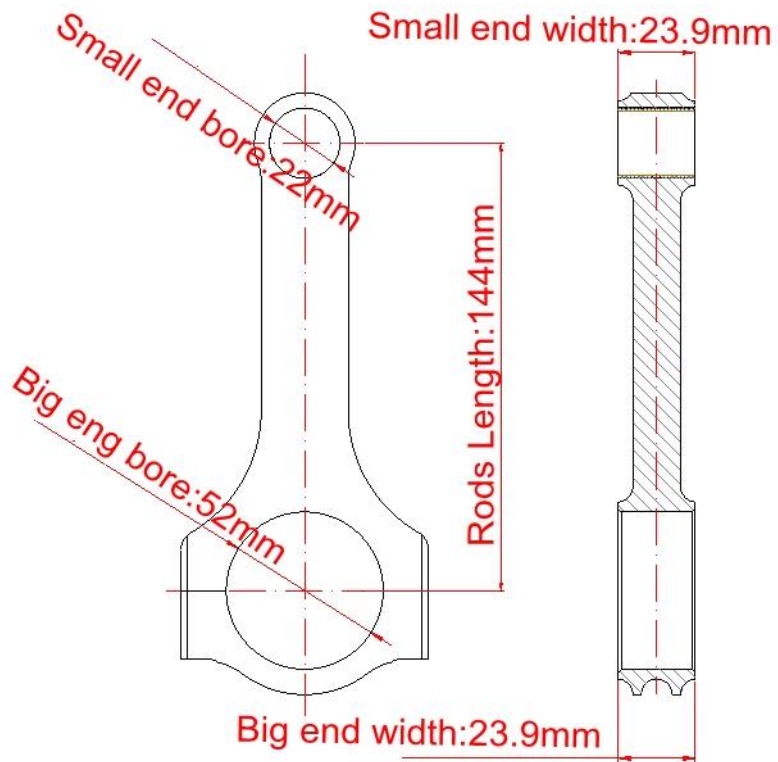
Brand: Hurricane  
Engine: BMW M5/M6 S-88  
Part Type: Connecting Rods  
Center to Center Length: 144mm/5.669"  
Big End Bore Diameter: 52mm/2.047"  
Big End Width: 23.9mm/0.941"  
Small End Bore Diameter: 22mm /0.866"  
Small End Width: 23.9mm/0.941"  
Beam Style: H-beam  
Connecting Rod Bolt Diameter: 3/8"  
Approximate Connecting Rod Weight: 500g/piece  
Advertised Horsepower Rating: 900hp  
Quantity: Sold as 6 pieces /set  
Material: Forged 4340 steel  
Connecting Rod Finish: Shot-peened, Polished  
Pin: Bronze wrist pin bushings  
Wrist Pin Style: Floating  
Cap Retention Style: Cap screw  
Weight Matched Set: Yes ,Balanced +/- 1g  
Magnafluxed: Yes  
Private Label: Yes ,available  
Custom design: Yes, accept

Hurricane finished BMW M5/M6 S-88 Steel connecting rod Features:

1. 100% CNC machined



2. Standard H beam design greatly increases strength and durability



3. Bronze wrist pin bushings are fitted to each rod to increased wear resistance



4. Weight matched to +/- 1 grams per set. After you got them, you could install directly.

**All BMW connecting rods** here, act now! If you have any questions, please feel free to tell us on Live Chat or leave an message to Marketing@hurricane-rod.com.cn .