

Brand: Hurricane
 Engine: Honda B16A VTEC 1.6L
 Part Type: Connecting Rods
 Center to Center Length: 134.37mm/5.290"
 Big End Bore Diameter: 48.01mm/1.890"
 Big End Width: 23.75mm/0.935"
 Small End Bore Diameter: 21.02mm /0.828"
 Small End Width: 21.00mm/0.827"
 Beam Style: H-beam
 Quantity :4 piece per set
 Approximate Connecting Rod Weight: 468g/piece
 Advertised Horsepower Rating: 750hp
 Material: Forged 4340 steel
 Connecting Rod Finish: Shot-peened, Polished
 Pin: Bronze wrist pin bushings
 Wrist Pin Style: Floating
 Cap Retention Style: Cap screw
 Weight Matched Set: Yes ,Balanced +/- 1g
 Magnafluxed: Yes
 Private Label: Yes ,available
 Custom design: Yes, accept

Honda B16A Forged Conrods Additional Description:

- 1). These H-beam forged connecting rod fits for Honda B16A engine, forged from [4340 chromoly steel](#) , all surface are fully machined by advanced CNC machine .
- 2). Each rod is heat-treated, X-rayed, sonic-tested, magnafluxed, polished, shot-peened and honed.
- 3). Packaged in balanced per set: end to end +/- 1 gram
- 4). H-beam design combines weight saving and high strength
- 5). Dimensionally inspected to ensure extreme reliability
- 6). CNC machining for superior tight tolerances

We provide the widest selection of connecting rods for the Honda cars , you are welcome to click the link to visit more details :

HONDA Prelude H22 VTEC 2.2L	H-beam	Forged H beam Honda Prelude H22 connecting rods set, 22mm pin hole
Honda D16L	H-beam	Connecting rod H-beam for Honda D16L
HONDA / ACURA S2000 F22C	X-beam	HONDA / ACURA S2000 F22C Rods
Honda Prelude H22 VTEC 2.2L	I-beam	Honda Prelude H22 VTEC 2.2L 5.636" I beam connecting rods
Honda L15A FIT/JAZZ	H-beam	H Beam Forged 4340 Conrods For Honda L15 L15a Connecting Rod
Honda Integra LS CRV B18A B18B B20	X-beam	X Beam Rods Honda Integra LS CRV B18A B18B B20 5.394
Honda S2000 F22C	H-beam	4340 Chrome Moly Connecting Rods for HONDA F22C, 2.2L S2000, Set of 4
HONDA / ACURA B16	H-beam	Honda B16 H beam 4340 steel connecting rods,136mm length,20mm pin
Honda Civic Si B16 B16A B16A2	H-beam	Hurricane H-Beam Rod Honda Civic Si B16 B16A B16A2
Honda Acura K24	H-beam	Honda Acura K24 H-beam connecting rods
Honda F20B	H-beam	H-beam Honda F20B Engine Connecting Rods Set , 5.709 length 145mm conrod
Honda D16Z6	H-beam	Honda D16Z6 connecting rods H-beam forged 4340 steel

Honda K24 K24A	I-beam	Honda / Acura K Series K24 TSX K24A K24Z Element CRV CONNECTING RODS
Honda Jazz	I-beam	Hurricane Customs Honda Jazz Rods and Honda FIT Connecting Rods on Sale
Honda D16A	H-beam	4340 Connecting rod H-beam for Honda D16A
Honda K20A3	H-beam	Steel forged Connecting Rod Honda K20A3 138.51mm /5.453" rod length
HONDA F22/H23	H-beam	4340 H-beam Honda F22/H23 connecting rods with 22mm pin, set of 4

FAQ:

Q: Do you offer OVERSIZED RODS ?

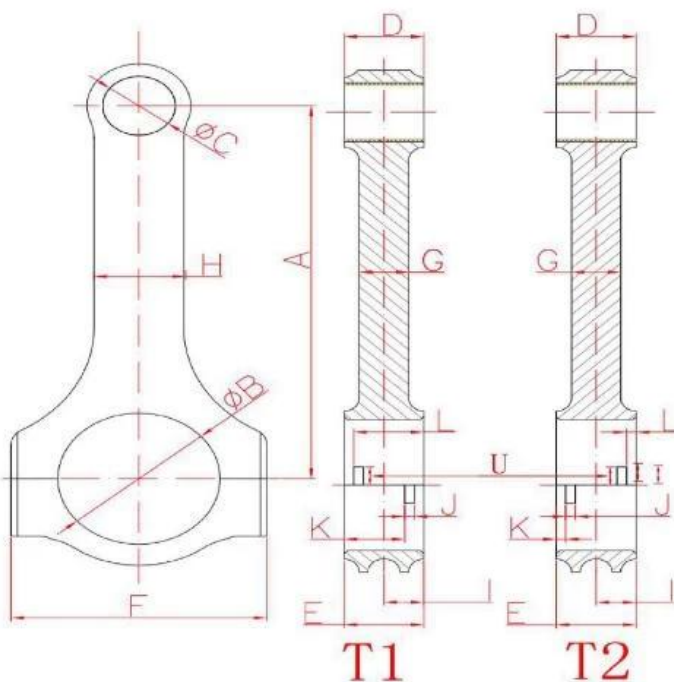
A: Yes, Rods, Those are larger than our forging either in length or width, can develop a new die to suit your requirements, or also can be made from billet material. Oversized rods are quoted per order and must be paid in advance. Welcome to leave message to our skilled staff. Besides oversized conencting rods, Hurricane also accept custom connecting rods order, if you are interested in custom rods, please feel free

send detailed drawing, sample or detailed dimensions to us. **Our custom connecting rod form as below:**



Hurricane Speed & Performance - Custom Connecting Rod Form

SPECIEF UNITS: _____ MM OR IN



- A. _____ Center to Center length/中心距
- B. _____ Big End Bore/大孔
- C. _____ Pin End Bore/小孔
- D. _____ Pin End Width/小端厚度
- E. _____ Big End Width/大端厚度
- F. _____ Overall BE Width/肩宽
- G. _____ Beam Thickness/杆厚
- H. _____ Beam Width/杆宽
- I. _____ BE Offset
- J. _____ T1 Or T2 反瓦/正瓦
- K. _____ Tang Position
- L. _____ Tang Width/瓦槽宽度
- M. _____ Tang Depth/瓦槽深度
- N. _____ Tang Position
- O. _____ Tang Length/瓦槽长度
- P. _____ H-beam,X-beam,I-beam/设计
- Q. _____ Piece/Set 只/组
- R. _____ Engine Model/发动机型号
- S. _____ Bolt Diameter(Inch)/螺栓规格
- T. _____ Piece (Quantity)/数量
- U. _____ Bolt Length(Inch)螺栓长度



Q: Could you provide logo printing(private label) service on connecting rods ?

Yes , we can laser logo on the rods, please don't hesitate to tell our skilled staff your request on lasering once order placed.