

VW 1.9L TDI Connecting Rods Main Sizes

Brand: Hurricane	
Center to Center Length: 144mm/5.670"	
Big End Bore Diameter: 50.6mm/1.992"	
Big End Width: 24.9mm/0.980"	
Small End Bore Diameter: 26.01mm /1.024"	
Small End Width: 24.9mm/0.980"	
Beam Style: H-beam	

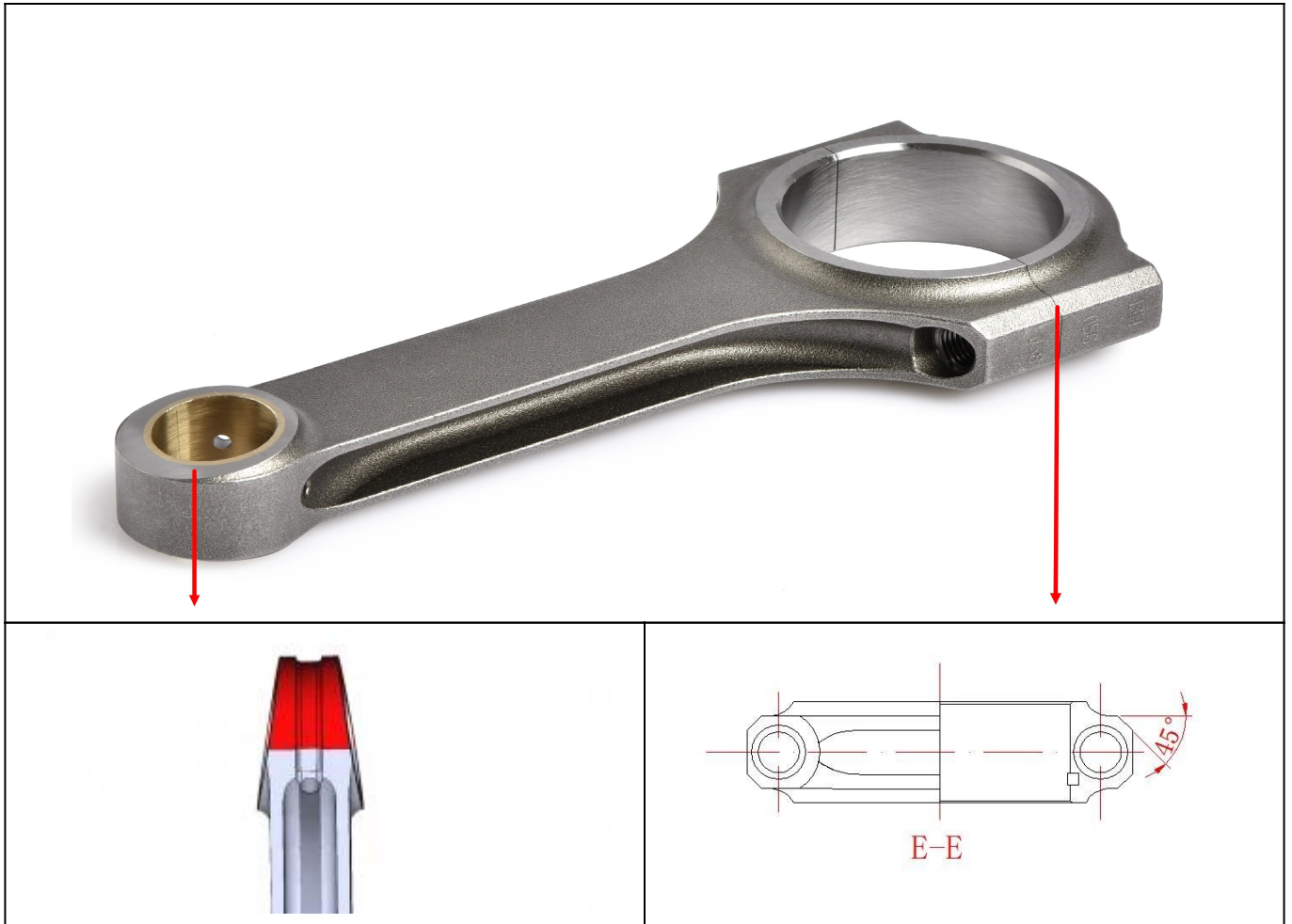
VW 1.9L TDI Connecting Rods More Details

Connecting Rod Bolt Diameter	3/8 "
Approximate Connecting Rod Weight	590g
Advertised Horsepower Rating	600hp
Quantity	Sold as 4 pieces /set
Material	Forged 4340 steel
Connecting Rod Finish	Shot-peened, Polished
Pin	Bronze wrist pin bushings
Wrist Pin Style	Floating
Cap Retention Style	Cap screw
Weight Matched Set	Yes ,Balanced +/- 1g
Magnafluxed	Yes
Private Label	Yes ,available
Custom design	Yes, accept

VW 1.9L TDI Connecting Rods Features

Hurricane Speed&Performance has the capability to make all kinds of connecting rods in market. Custom Connecting Rods are our specialty also! Hurricane Products Custom Connecting Rods are available for most of racing car or domestic applications by providing a fully custom rod at same or a little cost above that of an "off-the-shelf" product.

Compared with [VW 1.9L TDI std rods](#), custom tdi rods combine customer specifications also.



1. TAPERED P.E

Tapered pin end feature allows weight saving and increased clearance when using boxed pistons.

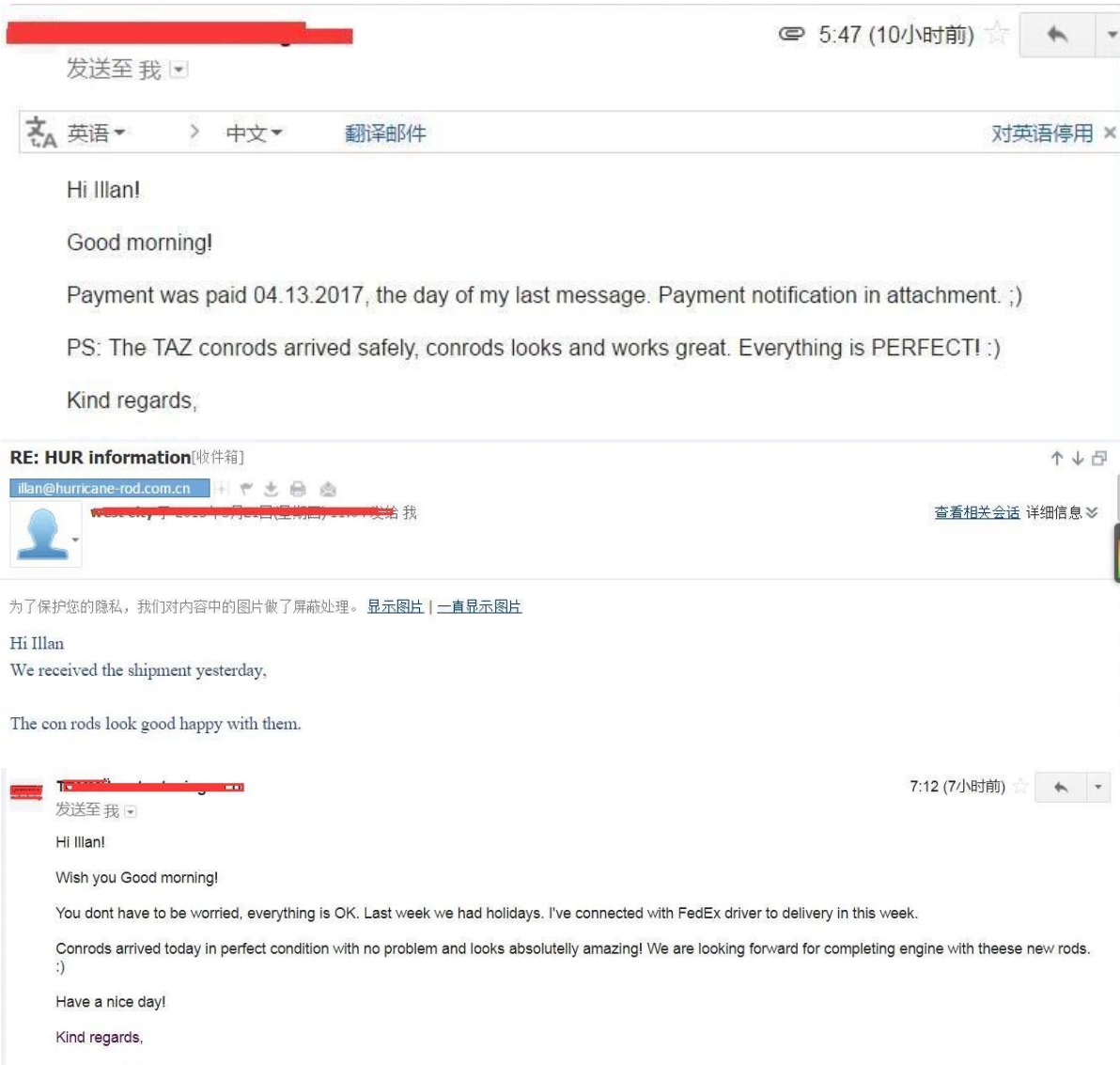
2. 3X45°SHOULDER

3X45°SHOULDER belongs to one of common and origin shoulder in the market. Besides 3X45°shoulder, **Round Shoulder and Square Shoulder** can be provided also.

Related product:

1. [VW Audi X-Beam Connecting Rods for 1.9L TDI 144mm Rod Length 4 PCS](#)
2. [Audi / VW 1.9 2.0 PD 2.0 16V CR TDi Hurricane steel connecting rods X-beam 144mm](#)
3. [Audi VW TDI 144 x 26mm H-beam Forged Connecting Rods](#)
4. [VW 1.9L TDI 4340 Forged Rods 144mm Rods Length](#)

Customers Feedback - **Custom connecting rods**



If you do not see a connecting rod in our catalog for your application or would like special weights or widths, please [contact us](#) and our Hurricane Engineers can make a custom order of rods built to your exact specifications.