

Honda K20 138.98mm X-beam Conrods Main Dimensions

Brand: Hurricane	
Center to Center Length: 138.98mm/5.472"	
Big End Bore Diameter: 51mm/2.008"	
Big End Width: 19.8mm/0.7795"	
Small End Bore Diameter: 22mm /0.8661"	
Small End Width: 19.8mm/0.7795"	
Beam Style: X-beam	

Honda K20 138.98mm X-beam Conrods Features

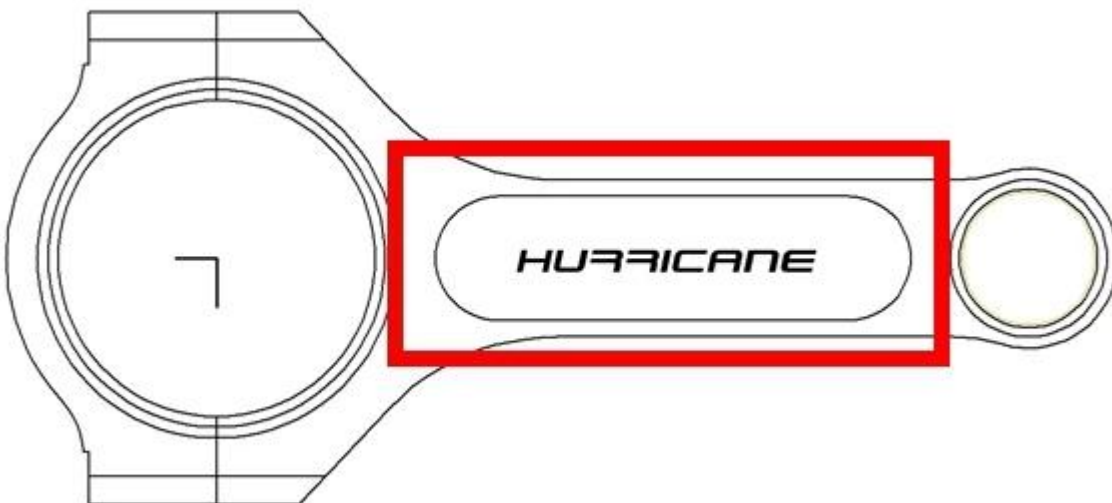
Connecting Rod Bolt Diameter	3/8 "
Approximate Connecting Rod Weight	560g
Advertised Horsepower Rating	550hp
Quantity	Sold as 4 pieces /set
Material	Forged 4340 steel
Connecting Rod Finish	Shot-peened, Polished
Pin	Bronze wrist pin bushings
Wrist Pin Style	Floating
Cap Retention Style	Cap screw
Weight Matched Set	Yes Balanced +/- 1g
Magnafluxed	Yes
Private Label	Yes ,available
Custom design	Yes, accept

Additional Description:

- 1). MOQ: 100pcs per model .
- 2). 100% CNC Machined from premium 4340 forged steel forgings .
- 3). [Various beam style](#) is available .



4). Custom laser mark can be made on the rods .

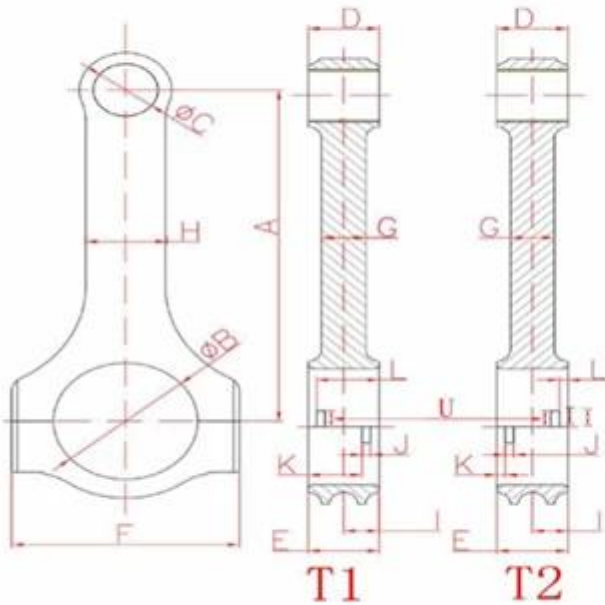


5). [Custom Connecting Rods](#) Sizes are acceptable, welcome to click following picture to download and fill out, email to us directly .



Hurricane Speed & Performance - Custom Connecting Rod Form

SPECIEF UNITS: _____ MM OR IN



- | | |
|-----------------------------|-------------------------|
| A. _____ | B. _____ |
| Center to Center length/中心距 | Big End Bore/大孔 |
| C. _____ | D. _____ |
| Pin End Bore/小孔 | Pin End Width/小轴厚度 |
| E. _____ | F. _____ |
| Big End Width/大轴厚度 | Overall BE Width/肩宽 |
| G. _____ | H. _____ |
| Beam Thickness/杆厚 | Beam Width/杆宽 |
| I. _____ | S. _____ |
| BE Offset | T1 Or T2 反瓦/正瓦 |
| K. _____ | J. _____ |
| Tang Position | Tang Width/瓦槽宽度 |
| V. _____ | L. _____ |
| Tang Depth/瓦槽深度 | Tang Position |
| U. _____ | M. _____ |
| Tang Length/瓦槽长度 | H-beam,X-beam,I-beam/设计 |
| O. _____ | N. _____ |
| Piece/Set 只/组 | Engine Model/发动机型号 |
| P. _____ | Q. _____ |
| Bolt Diameter(Inch)螺栓规格 | Piece (Quantity)数量 |
| R. _____ | |
| Bolt Length(Inch)螺栓长度 | |



Hurricane connecting rods factory picture

