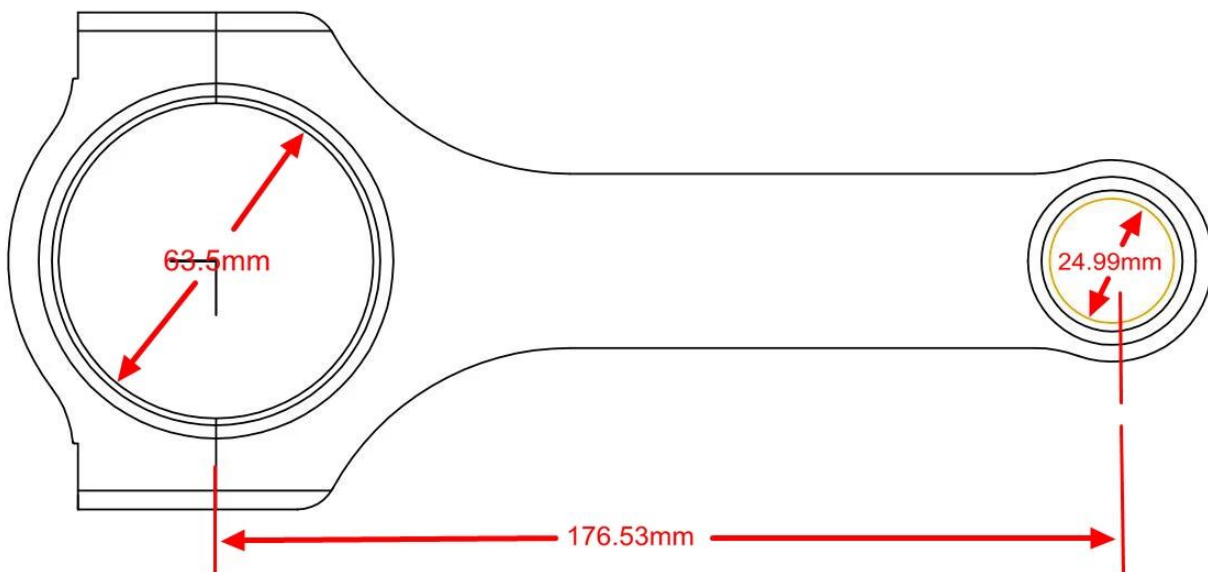


Brand: Hurricane*
Engine: Chrysler 6.4L/392 HEMI
Part Type: Connecting Rods
Center to Center Length: 176.53mm/6.950"
Big End Bore Diameter: 63.5mm/2.500"
Big End Width: 25.25mm/0.994"
Small End Bore Diameter: 24.99mm /0.984"
Small End Width: 29.46mm/1.160"
Beam Style: H-beam
Connecting Rod Bolt Diameter: 7/16"
Approximate Connecting Rod Weight: 835g/piece
Advertised Horsepower Rating: 1000hp
Quantity: Sold as 8 pieces /set
Material: Forged 4340 steel
Connecting Rod Finish: Shot-peened, Polished
Pin: Bronze wrist pin bushings
Wrist Pin Style: Floating
Cap Retention Style: Cap screw
Weight Matched Set: Yes ,Balanced +/- 1g
Magnafluxed: Yes
Private Label: Yes ,available
Custom design: Yes, accept



Those rods for 6.4L Chrysler. Hurricane connecting rods are honed, pre clearance and weight balanced, (+/-1g each set), which means less time in a machine shop, and you can use/sell them when rods in hand. For more chrysler connecting rod, please [click here](#), if you have any question or inquiry, Please [fill out this form](#) and we will get in touch with you shortly.

FAQ

A: [What is the difference between COPY ARP2000 bolt and Original ARP bolt?](#)

B:

ARP8740 bolt 180,000PSI(YIELD STRENGTH) 200,000PSI(TENSILE STRENGTH)

Hurricane COPY ARP2000 3/8 bolt 211,829PSI(TENSILE STRENGTH)

ARP 2000 bolt 200,000PSI(YIELD STRENGTH) 220,000PSI(TENSILE STRENGTH)

ARP L19 bolt 220-230,000PSI(YIELD STRENGTH) 260,000PSI(TENSILE STRENGTH)

CUSTOM AGE 625+ bolt 235-255,000PSI(YIELD STRENGTH) 260,000 PSI(TENSILE STRENGTH)

ARP AERMET bolt 260-280,000PSI(YIELD STRENGTH) 290-310,000PSI(TENSILE STRENGTH)

